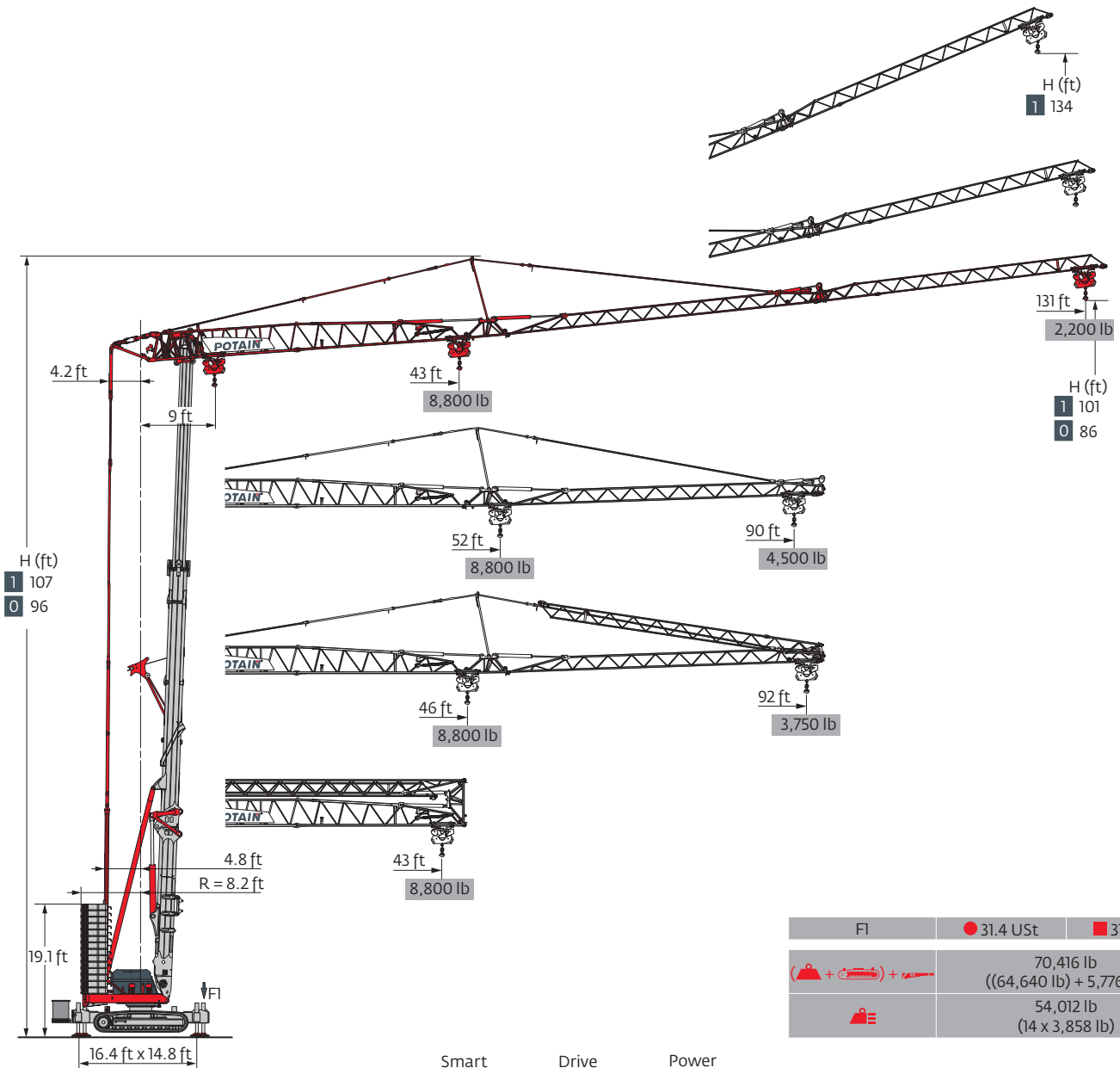


Hup C 40-30

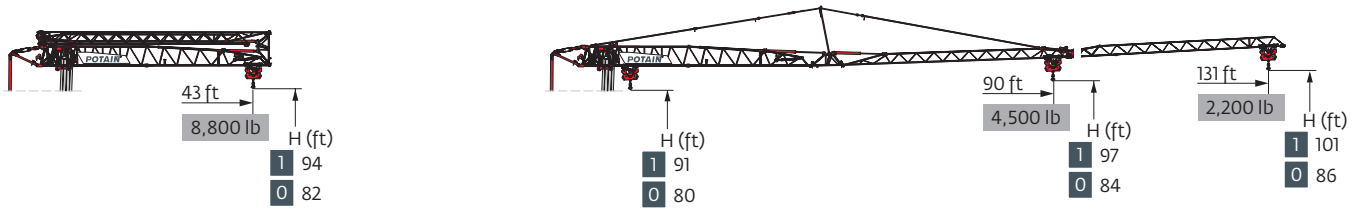
Special application



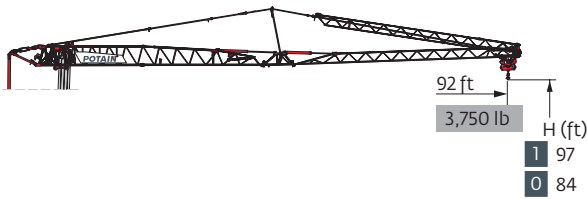
Fl	● 31.4 USt	■ 31.9 USt
+ +	70,416 lb ((64,640 lb) + 5,776 lb)	
	54,012 lb (14 x 3,858 lb)	

Smart Set-up Drive Control Power Control CraneSTAR Diag Top Site Top Tracing 3

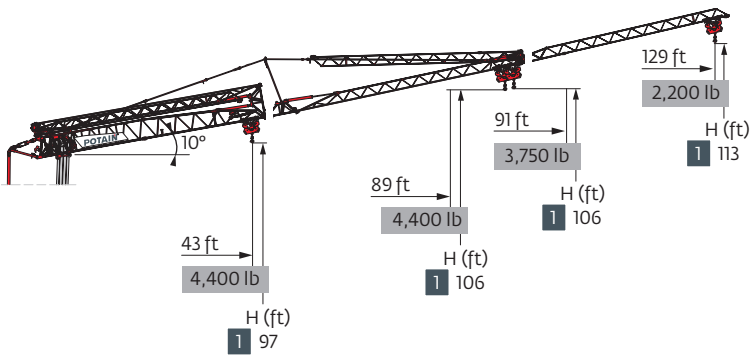
Load curves



131 ft	9	▶	43	ft	9	▶	43	46	49	52	56	59	62	66	72	82	89	98	105	115	121	131	ft	
▲▲▲	▼		8,800	lb	8,800	8,200	7,500	6,950	6,450	6,000	5,650	5,300	4,700	4,000	3,650	3,200	2,950	2,650	2,450	2,200	lb			
90 ft	9	▶	43	ft	9	▶		52	56	59	62	66	72	82	90	ft								
▲▲▲	▼		8,800	lb			8,800	8,050	7,500	7,000	6,600	5,900	5,050	4,500	lb									



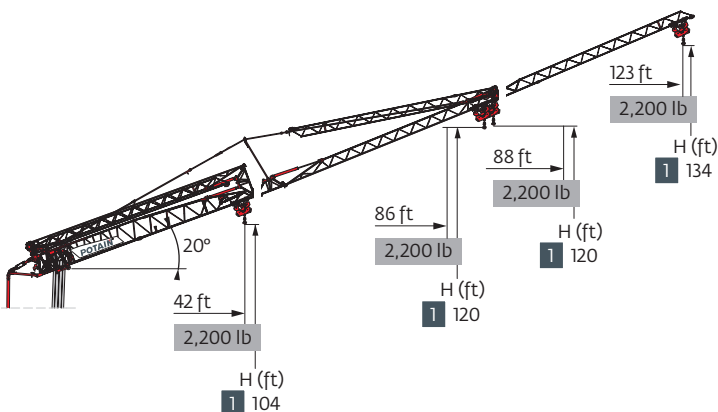
131 ft	9	▶	46	49	52	56	59	62	66	72	82	89	92	ft
▲▲▲	▼		8,800	8,050	7,450	6,900	6,450	6,050	5,650	5,050	4,300	3,900	3,750	lb







131 ft	9	▶	75	82	89	98	105	115	121	129	ft
▲▲▲	▼		4,400	3,900	3,550	3,100	2,850	2,550	2,400	2,200	lb
90 ft	9	▶		89	ft						
▲▲▲	▼			4,400	lb						





131 ft	9	▶	80	82	89	91	ft
▲▲▲	▼		4,400	4,250	3,850	3,750	lb

131-90 ft	9	▶	43	ft
▲▲▲	▼		4,400	lb

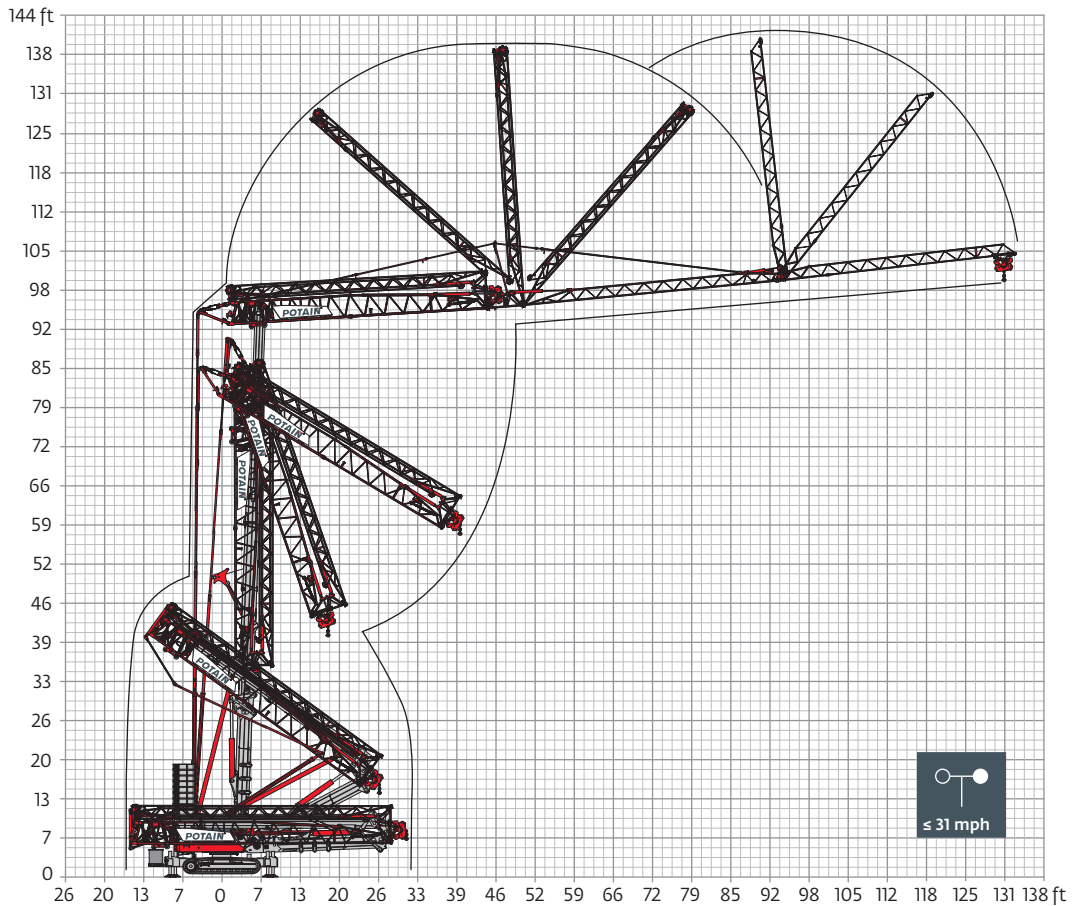


Mechanisms

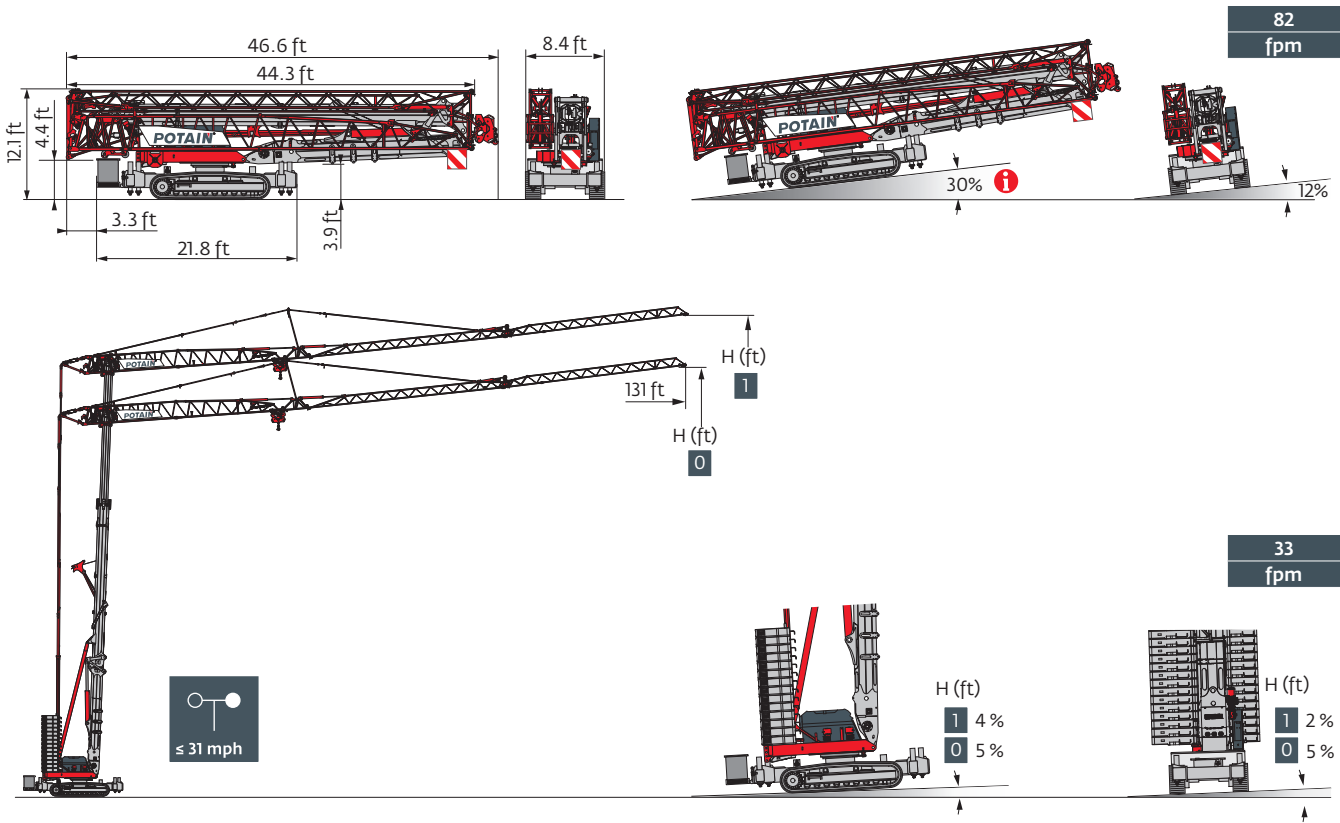
480 V - 60 Hz								hp	kW
	18 HPL™ 10	fpm	6	62	118	190	213	18	13
		lb	8,800	8,800	4,400	2,200	1,100		
	3 DVF 5	fpm	3 → 148 (0 → 2,200 lb) 3 → 135 (2,200 lb → 8,800 lb)					3	2.2
	HPS 142	rpm	0 → 0.9					2 x 5	2 x 3.7

 IEC 60204-32	 kVA	
480 V (+6% -10%) 60 Hz	23 → 17 kVA	

Erection



Moving



Rocky Mountain Crane
 208-500-0101
www.rockymtncranes.com

- R Rear slewing radius
- Reactions in service
- Reactions out of service
- ⚖ Weight without load, without ballast, without transport axes, with max. jib and standard height
- 🚶 Crawler
- 📦 Base ballast block (steel, 5,776lb)
- 📦 Total ballast weight
- Standard equipment
- Options
- ⬆️ Hoisting
- 📏 Trolleying
- 🔄 Slewing
- ⚡ Required power
- 🕒 Power Control Function: winch speeds adapted to the available power
- ❗ Consult us

⚠️ This commercial document is not legally binding. For any technical information, please refer to the corresponding instructions.

